

Calypso

Fan-forced heater with programmable thermostat

Make bathroom heating a breeze with the Calypso fan-forced heater. This versatile unit streamlines installations and caters to diverse client needs.

COLOR

- Standard: white

FINISH

- Epoxy/polyester anti-rust powder coating resistant to UV rays

VOLTAGE

- 240V, 1-phase

CONSTRUCTION

- Steel cabinet featuring rounded corners and splash-proof construction for safe installation in the bathroom **1**
- Easy-to-clean, removable rear-mounted filter for minimal maintenance
- Built-in side wire covers
- Bottom grille directs the warm air downwards, towards the centre of the room
- Two high-limit temperature controls that will turn the heater off in case of overheating, with main power interruption reset

FAN

- Quiet squirrel-cage fan **2**
- Factory-lubricated motor

HEATING ELEMENT

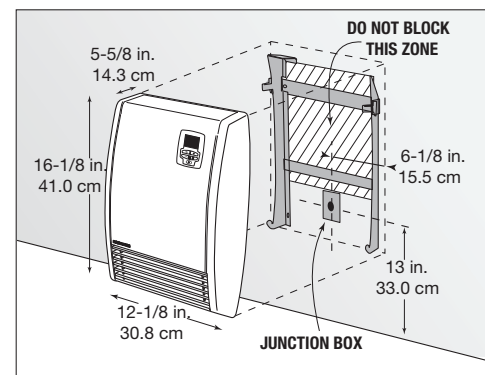
- Nickel-chromium alloy stitched wire, providing instant heat

CONTROL

- Programmable built-in electronic proportional-action digital thermostat, located on the front panel, for regulated heating
- Electronic timer, 5-120 minutes, for accelerated heating **3**
- LCD backlit display that can be used as a night light
- Keypad lock function using a key combination with the ability to add a code for unlocking
- Temperature display format (°C or °F)
- "On-Off" button
- "Manual" button to choose from Comfort, Economy and Frost Protection modes
- "Open Window" button to activate open window detection
- "Auto" button to enable automatic operation by following the programmed heating schedule
- Energy use indicator
- Heating indicator light

INSTALLATION

- Quick surface-mounted installation, with the included wall mounting bracket, that also serves as marking template
- Flexible cable with electrical wall box cover plate included
- Requires installation of a wall electrical box not supplied



Recommended installation height	
in	cm
10	25.4

Minimum clearances							
Front		Side		Above		Below	
in	cm	in	cm	in	cm	in	cm
20	50.8	4	10.2	12	30.5	10	25.4

WARRANTY

- 5-year warranty on the heating element
- 2-year warranty on parts and defects

APPLICATION

- Bathroom, entrance way

Calypso

Fan-forced heater with programmable thermostat

Calypso										
Product No.	Color	Power 240 V	Height		Width		Depth		Net Weight	
			in	cm	in	cm	in	cm	lb	kg
X-7826-C20-BB	White	Regular Power (standard) 1000W	16-1/8	41.0	12-1/8	30.8	5-5/8	14.3	8.8	4.6
		Maximum Power (timer) 2000W								

Depth includes the mounting brackets.



1-800-668-6663 | convectair.ca

© Convectair. All rights reserved. Material contained in this publication may not be reproduced in whole or in part, without prior permission in writing of Convectair. Convectair is a Registered Trade Mark in North America. All the products shown in this document are protected by intellectual property rights owned by Convectair or members of the Glen Dimplex Group on an international basis. The Glen Dimplex Group of Companies will actively protect these rights. Specifications, finishes and dimensions are subject to change. Limited warranty. SE-702-R00-081224