

### FLB/FLB+ Panel Convactor

Clean front, curved sides and top-venting design provide a similar overall aesthetic to linear convectors. 5101 (FLB+) model features include built-in electronic thermostat, timer and touch controls.

#### COLOR

Standard: white

#### FINISH

Powder coating resists fading and abrasion

#### VOLTAGE

240/208

#### CONSTRUCTION ①

- European designed front cover is built with durable 21 gauge steel
- Top venting design

#### HEATING ELEMENT

Finned element designed for durability and efficient heat transfer

#### CONTROL ② ③

- Turning the Heater On or Off (FLB and FLB+ models):  
Press the toggle switch on **I** to turn heater on, or on **O** to turn it off
- Setting the Temperature:  
Using the adjustment keys, increase or decrease the temperature according to the desired comfort
- Heat Mode (Eco and Comfort):  
Press **↵** to toggle between Comfort and Eco modes. The Mode Indicator is green when in Eco mode and red when in Comfort mode
- Lock the Controls  
Press **↵** and **-** simultaneously to lock (Locd) or unlock (OPEn) the controls

#### WARRANTY

- 2-year warranty against defects
- 5-year warranty on the heating element

#### APPLICATION

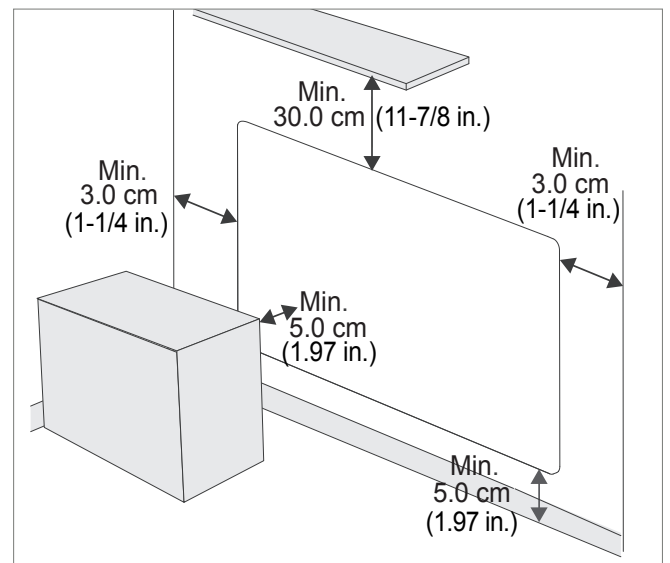
Ideal for retrofit installations

#### INSTALLATION

- Quick and easy with wall mounting bracket included that can also be used as a marking template
- Flexible cable with electrical wall box cover plate included
- If your unit is equipped with an electronic thermostat (FLB + models), it should not be connected to a wall thermostat



Recommended installation height		Minimum clearances							
		Front		Side		Above		Below	
in	cm	in	cm	in	cm	in	cm	in	cm
<2	5.0	2	5.0	1.2	3.0	11.8	30.0	2	5.2



It is recommended that all units be installed by a licensed electrical contractor in accordance with national and local codes. Consult [convectair.ca](http://convectair.ca) to find installation instructions for our heaters.



**5** year element warranty  
2-year limited warranty

### FLB/FLB+ Panel Convectors

#### FLB Series

Model No.	Color	Watts		Height		Width		Depth		Net Weight	
		240 V	208 V	cm	in	cm	in	cm	in	kg	lb
<b>5100-C05-BB</b>	White	500 W	375 W	40.0	15-3/4	42.5	16-5/8	11.5	4-1/2	2.7	6
<b>5100-C10-BB</b>	White	1,000 W	750 W	40.0	15-3/4	52.5	20-3/4	11.5	4-1/2	3.4	7.5
<b>5100-C15-BB</b>	White	1,500 W	1,125 W	40.0	15-3/4	62.5	24-5/8	11.5	4-1/2	3.8	8.4
<b>5100-C20-BB</b>	White	2,000 W	1,500 W	40.0	15-3/4	82.5	32-1/2	11.5	4-1/2	4.2	9.3

#### FLB+ Series

Model No.	Color	Watts		Height		Width		Depth		Net Weight	
		240 V	208 V	cm	in	cm	in	cm	in	kg	lb
<b>5101-C05-BB</b>	White	500 W	375 W	40.0	15-3/4	42.5	16-5/8	11.5	4-1/2	2.7	6
<b>5101-C10-BB</b>	White	1,000 W	750 W	40.0	15-3/4	52.5	20-3/4	11.5	4-1/2	3.4	7.5
<b>5101-C15-BB</b>	White	1,500 W	1,125 W	40.0	15-3/4	62.5	24-5/8	11.5	4-1/2	3.8	8.4
<b>5101-C20-BB</b>	White	2,000 W	1,500 W	40.0	15-3/4	82.5	32-1/2	11.5	4-1/2	4.2	9.3



1-800-668-6663 | [convectair.ca](http://convectair.ca)

© Convectair. All rights reserved. Material contained in this publication may not be reproduced in whole or in part, without prior permission in writing of Convectair. Convectair is a Registered Trade Mark in North America. All the products shown in this document are protected by intellectual property rights owned by Convectair or members of the Glen Dimplex Group on an international basis. The Glen Dimplex Group of Companies will actively protect these rights. Specifications, finishes and dimensions are subject to change. Limited warranty. SE-653-R01-091724