

## FOR Series Electronic Panel Convector

### 5356 Series



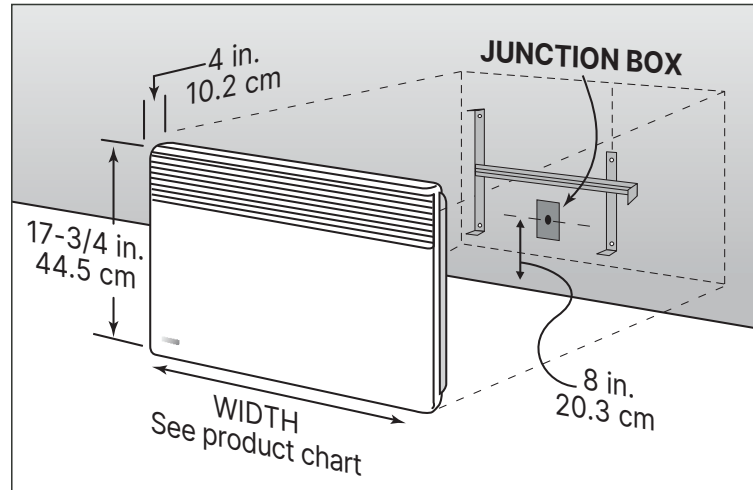
**5** year element warranty  
2-year limited warranty

### FEATURES

- |                        |  |
|------------------------|--|
| <b>Color</b>           | - White  |
| <b>Finish</b>          | - Epoxy/polyester anti-rust powder coating resistant to UV rays  |
| <b>Voltage</b>         | - 240/208 V  |
| <b>Wattage</b>         | - Sizes ranging from 750 W to 2,000 W  |
| <b>Construction</b>    | - Steel construction<br>- Front-louvered air outlet that hides the unit interior and directs heat towards the center of the room   |
| <b>Heating Element</b> | - X-shaped, monoblock element made of surface-treated extruded aluminum  |
| <b>Control</b>         | - Built-in electronic proportional-action thermostat, ultra precise to 1/5°F (1/10°C)<br>- Select unit of temperature in °C or °F, by key combination "+" and "-" buttons<br>Set the temperature and lock the controls<br>- Mode button with 4 settings: Comfort; Economy; Frost protection 45°F (7°C); Heat off   |
| <b>Installation</b>    | - Recommended installation height: 4" (10.2 cm)<br>- Clearances: Front: 20" (50.8 cm); Sides: 6" (15 cm); Above: 4" (10.2 cm); Underneath: 4" (10.2 cm).<br>- Quick-mounted surface installation with easy snap-on bracket that also serves as marking template.<br>- Flexible cord connection, including junction box cover. Installation requires 2" x 3" wall box (not included)<br>- Note: 3-conductor cable |
| <b>Warranty</b>        | - 5-year heating element, 2-year parts and defects   |
| <b>Applications</b>    | - Ideal for both new and retrofit installations where there is an existing supply line   |

## FOR Series Electronic Panel Convector

### 5356 Series



Note: The depth shown includes wall bracket.

Product No.	QTY	UPC	VOLTS	WATTS	HEIGHT		WIDTH		DEPTH		WEIGHT	
					IN	CM	IN	CM	IN	CM	LB	KG
<b>FOR - WHITE</b>												
X-5356-C07-BB		774725006769	240/208	750/565	17-3/4	44.5	13-3/8	34.0	4	10.2	7.7	3.3
X-5356-C10-BB		774725006776	240/208	1000/750	17-3/4	44.5	16-1/2	42.0	4	10.2	8.8	3.7
X-5356-C15-BB		774725006783	240/208	1500/1125	17-3/4	44.5	22-7/8	58.0	4	10.2	11.0	4.8
X-5356-C20-BB		774725006790	240/208	2000/1500	17-3/4	44.5	29-1/8	75.0	4	10.2	13.2	5.9

### Project Details

Project:	Approval Information
Consulting Engineer:	
Electrical Contractor:	
Distributor:	
Date:	
Contact at Glen Dimplex Americas:	
Comments:	