

Legato

Split-Type Room Heat Pump



10 year warranty on parts and compressor (no labour)



Indoor Unit



Outdoor Unit

Up to
 **26 SEER2**
 IN COOLING
 **15 HSPF2**
 IN HEATING

Performance up to

-29°C
-20°F

Cooling

-30°C
-22°F

Heating

FEATURES

Colour

- White

Finish

- Premium white plastic housing with sleek, modern design

Voltage

- 230/208V 60 hz, 1-phase

Construction

- Uses R454B refrigerant for superior efficiency and reduced environmental impact
- Built-in refrigerant leak detection system
- Indoor unit features multi-speed cross flow fan system
- Outdoor unit equipped with Hyper Heat Inverter compressor
- PTC heating pan for superior cold climate performance
- Single zone configuration for targeted comfort
- Enhanced cold weather operation with specialized oil warming system
- Easy-access washable filters for simplified maintenance
- Auto-clean functionality prevents mold growth
- Golden fin coating technology providing 70% better corrosion resistance

Compressor

- High-performance inverter compressor operates efficiently in extreme temperatures, delivering reliable heating and cooling in any climate

Control

- Includes intuitive remote control and WIFI-enabled Convectair Connect app.
- Temperature range: 16-30°C/61-86°F for both heating and cooling
- Five-speed fan control: Turbo/High/Medium/Low/Silent
- Ultra-quiet 20dB operation in Silent mode
- Multiple operating modes: Cooling, Heating, Dehumidification, Fan, and Auto
- Optional 12V wired wall thermostat for alternate control
- Optional 24V interface adapter for low voltage thermostat compatibility
- Smart Inverter Detector available for system diagnostics

Warranty

- 10-year warranty on parts and compressor (no labour)

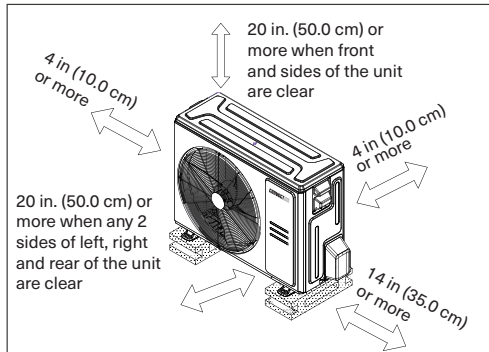
Applications

- Residential: Single-family homes, apartments, condominiums, and home additions
- Commercial: Professional offices, hospitality spaces, and dining establishments
- Specialty Spaces: Temperature-controlled workshops and garages
- Challenging Environments: Climate-controlled sunrooms and attic conversions

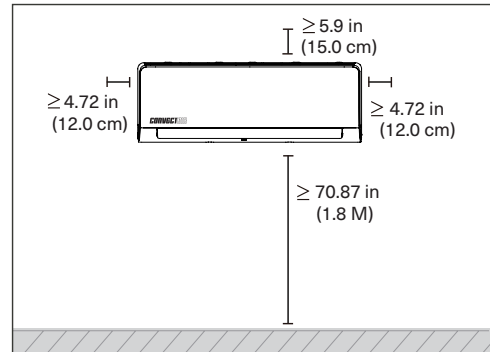


Legato

Split-Type Room Heat Pump



Minimum clearances							
Front		left Side		right side		Above	
in	cm	in	cm	in	cm	in	cm
20	50.0	4	10.0	14	35.0	20	50.0



Indoor Unit					
Side		Above		Below	
in	cm	in	cm	in	meter
4.72	15.0	5.9	15.0	70.87	1.8

Product No.	QTY	UPC	Description	Height		Width		Depth		Net Weight		SEER2	HSPF2
				in	cm	in	cm	in	cm	lb	kg		
Legato Split-Type Room Heat Pump Series													
500004479		781052154865	9K BTU Indoor Unit	11.50	29.2	31.75	80.6	7.75	19.7	20.3	9.2	26.0	15.0
500004490		781052154858	9K BTU Outdoor Unit	20.87	53.0	34.25	87.0	12.60	32.0	71.6	32.5		
500004491		781052154841	12K BTU Indoor Unit	11.50	29.2	31.75	69.9	7.75	17.1	20.7	9.4	24.0	13.2
500004492		781052154834	12K BTU Outdoor Unit	20.87	53.0	34.25	87.0	12.20	31.0	71.5	32.5		
500004493		781052154827	18K BTU Indoor Unit	13.00	33.0	41.34	105.0	9.06	23.0	32.0	14.6	21.7	13.0
500004494		781052154810	18K BTU Outdoor Unit	26.00	66.0	38.75	98.4	13.50	34.3	97.9	44.5		
500004495		781052154803	24K BTU Indoor Unit	13.25	33.7	42.50	108.0	9.25	23.5	32.5	14.76	22.3	12.5
500004496		781052154797	24K BTU Outdoor Unit	31.89	81.0	41.34	105.0	16.54	42.0	130.3	59.1		
Optional Accessories													
500004911		781052157002	12V Wall Thermostat										
500004912		781052157019	24V Interface										
500004913		781052157033	Smart Inverter Detector for in field troubleshooting (Test Board)										

Project Details

Project:	Approval Information
Consulting Engineer:	
Electrical Contractor:	
Distributor:	
Date:	
Contact at Glen Dimplex Americas:	
Comments:	