

7809

CONVECTAIR

SOPRANO

Fan-forced
Wall Heater



We value your feedback!

Your input helps to create even better products and experiences.

Share the warmth and leave a review.

convectair.com/sharethewarmth

 [YouTube/Convectair](https://www.youtube.com/Convectair) 



INSTALLATION AND USER'S GUIDE

To be read and kept by the user.

 A BRAND OF GLEN DIMPLEX AMERICAS

721660000R00

Foreword

Dear owner,

Congratulations on the purchase of your new **CONVECTAIR** premium electric heater.

To obtain the best results and the ultimate in performance and comfort, please take a moment to read the installation, operation and maintenance instructions detailed in this manual.

Table of Contents

Specifications	4
Location Recommendations	5
Installation and Mounting	6
Electrical Connection	8
Operating Instructions	9
Overheat Protection	9
Maintenance	10
Troubleshooting	10
Identifying Your Device	11
Warranty	12

Specifications

The Soprano is a compact, discreet and efficient unit that may be used in any room of the house. It features forward-louvered air outlets, which direct air towards the centre of the room.

During the installation, the Soprano allows you to select a wattage, either 750 W or 1500 W.

Model	Total Power	Voltage	Width (mm)	Height (mm)	Depth (mm)	Weight (kg)
7809-C15-BB	750 W or 1500W	240 V	343 (13 1/2")	230 (9")	144 (5 5/8")	2.9 (4,4 lb)

The Soprano can be controlled with a timer, a thermostat, or a wall switch that meets electrical local codes. We recommend one of the following thermostats:

- Dimplex DWT-431W
- Dimplex DWT-431W-P
- Aube/Honeywell TH105+
- Aube/Honeywell TH401
- Ouellet OTH2750/OTH2750-A)
- Ouellet OTH4000/OTH4000-A)
- Ouellet OTH2750P/OTH2750P-A)
- Ouellet OTH4000P/OTH4000P-A)

Location Recommendations

PLEASE READ CAREFULLY:

These instructions are essential for safe installation and use of your CONVECTAIR unit.

This unit must be connected to a 240 Volt 60 Hz. Switch breaker in the off position "OFF" before connecting. Convectair recommends that the unit be installed by a qualified electrician in accordance with national and local codes.

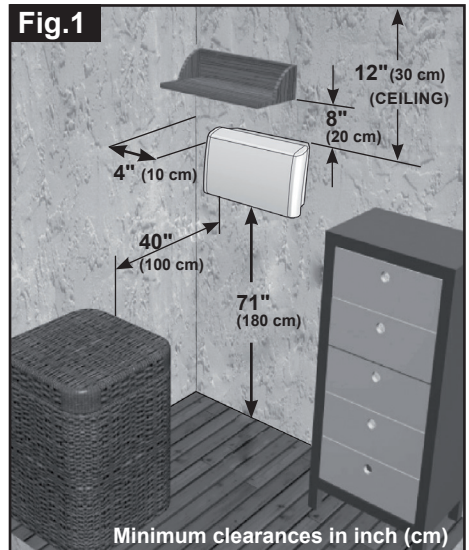
Determine where the Soprano must be installed. Once the location is chosen, ensure that there is no obstacle to the flow of air around. Observe clearances (Fig. 1).

The connection of the unit must be made inside a rectangular junction box. It must be installed in the wall and of a size suitable for holding the cable connection and cover $2\frac{3}{4}'' \times 4\frac{1}{2}''$ (7 cm x 11.5 cm) supplied with the unit. Do not position the heater below an electrical receptacle.

Follow the minimum installation clearances to the floor, walls, furniture, etc., (Fig. 1).

CAUTION:

- Do not install the bottom of the unit less than 71" (180 cm) from the floor.
- Do not install the sides of the unit less than 4" (10 cm) from all surfaces.
- Do not install the top of the unit less than 8" (20 cm) from a shelf or other overhanging object.
- Do not install the top of the unit less than 12" (30 cm) from the ceiling.
- Maintain a minimum clearance of 20" (50 cm) in front of the unit.

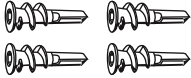


Installation and Mounting

TOOLS REQUIRED



(4) 1½" Screws



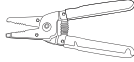
(4) Wall anchors (if needed):
must be suitable for
min. 50 lb / 22.7 kg



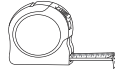
Wire Connectors



Stud Finder
(Optional)



Wire Strippers



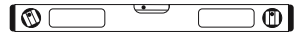
Tape Measure



#2 Phillips
Screwdriver



Utility Knife



Level

- 1 Ensure the wall bracket is installed on a flat surface and the grilles on the back of the heater are not obstructed.
- 2 Release mounting bracket by pressing and pulling the locking tab on the back side of the heater using a flat screwdriver (Fig. 2).
- 3 Position the mounting bracket on the wall and ensure it is level horizontally. Mark and drill the 3 fixing holes (Fig. 3).
- 4 Replace mounting bracket and fasten it with appropriate screws and anchors. Ensure that the correct screws, and anchors if necessary, are used to allow the unit to be securely mounted on the wall. It is recommended that at least two of the screws are attached to studs in the wall.

NOTE 1: Follow the clearances shown in Fig. 1.

NOTE 2: The unit must be secured on the wall bracket. The use of adhesive to install the bracket or the device is prohibited.

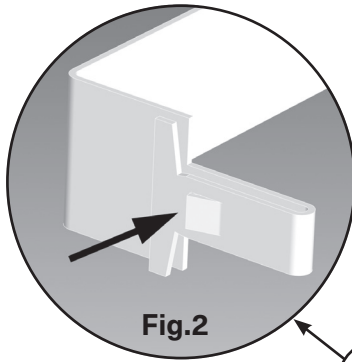
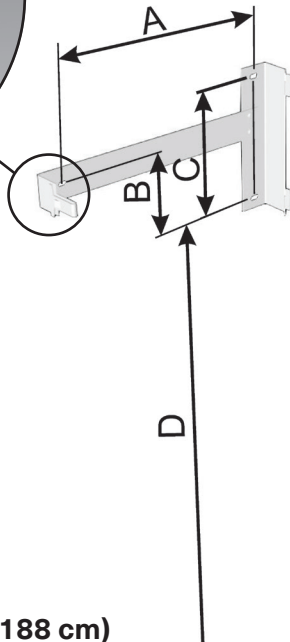


Fig.2



A = 9 1/16" (23 cm)

B = 3" (7,6 cm)

C = 4 23/32" (12 cm)

D (to the floor) = 74 1/32" (188 cm)



Fig.3

Electrical Connection

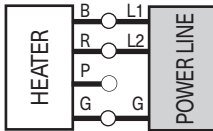
CAUTION:



- DO NOT INSTALL HEATER OVER A BATHTUB OR OTHER CONTAINER.
- DO NOT USE IN AREAS WHERE GASOLINE, PAINT, OR FLAMMABLE LIQUIDS ARE USED OR STORED.

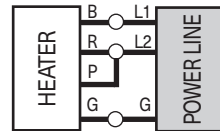
- From the junction box connect the ground wire to the unit's green wire, using wire connectors (not included).
- Wire the unit following the wiring diagram for the desired configuration below.
- Carefully place wires in the junction box and screw on the cover.
- Place the Soprano against the wall and lock it in position. Fix it to mounting bracket before using.

240 V



750 W CONFIGURATION

240 V



1500 W CONFIGURATION

B=BLACK R=RED G=GREEN P=PURPLE L1=LINE 1 L2=LINE 2 G=GROUND

Operating Instructions

The operation can vary according to the type of control used. Please consult the instruction manual of the thermostat, timer, or wall switch used.



CAUTION:

**THIS HEATER IS HOT WHEN IN USE.
TO AVOID BURNS, DO NOT LET BARE SKIN
TOUCH HOT SURFACES.**

Overheat Protection

The Soprano is equipped with two safety cut-outs which shut off the fan and the heating element in case of overheating.

To reset the safety cut out:

1. Shut off the power to the heater.
2. Check the heater and correct the cause of overheating (blocking, covering or dust). Clean the grilles if they appear dirty.
3. Wait 5 minutes, turn the power on and start the heater to check that it operates properly.

Maintenance

For best performance and maximum efficiency of the appliance, regular maintenance is required. To remove dust on the outside of the heater and on the grilles, use a soft cloth. To remove a stain, dampen the cloth.

To remove dust and debris that accumulate inside the heater, shut off the power to the heater at the breaker, remove the heater from the back bracket, vacuum it, and secure it to the back bracket before turning the power back on.

Clean the air intake at the rear of the unit regularly, especially in areas where smoke and dust are present. Never use this heater during construction or other activities that generate high amounts of dust particles.

During the first time operation of the unit, it is possible that a slight odour and smoke are expelled from your Soprano. This is normal and it will cease after a few minutes of use.

NEVER USE ABRASIVE OR ACETONE-BASED PRODUCTS, AS THEY COULD DAMAGE THE EPOXY COATING.

ALL SERVICING ON CONVECTAIR APPLIANCES MUST BE CARRIED OUT WITH THE POWER OFF, AND BY QUALIFIED AND AUTHORIZED PERSONNEL.

Troubleshooting

Before calling your electrician, please go through these simple checks:

1. Make sure the breaker in the distribution panel is in the "ON" position.
2. Make sure that your timer, thermostat or switch (not included) are in the "ON" position.
3. Adjust the thermostat (not included) to the maximum power level.
4. If after all these tests, the unit does not work, shut power "OFF" and wait 5 minutes, then repeat steps 1 to 3. If the unit still does not work, contact your electrician or **CONVECTAIR**.

After a while, the unit may shut off even if the heater is not obstructed. In such case, the unit may require internal cleaning. Please contact one of our service centers or call **CONVECTAIR**.

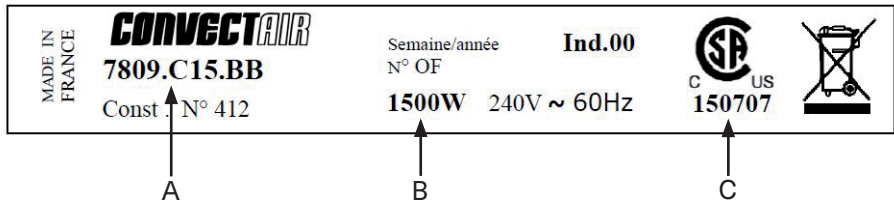
Identifying Your Device

IMPORTANT: PRODUCT INFORMATION APPEARS ON THE RATING LABEL.

The rating label is placed on an internal side of the appliance near the supply grille, to allow for identification of the heater.

It includes:

- The complete model number (A), which must be included in any warranty claim.
- Its power in Watts (B).
- Standard certification (C).



Warranty

2 years against all defects / 5 years on the heating element.

All CONVECTAIR devices have a dual warranty: two years against defects in materials and workmanship on all parts, and five years on the heating element itself.

They are applicable from the date of purchase by the consumer and under the conditions specific to them. Full details are provided with each device.

Please keep your purchase and/or installation invoice.

SERVICE CENTRES:

To find the nearest Service Center, visit our website (www.convectair.ca) or contact CONVECTAIR customer service at the following number: **1 800 463-6478**

We value your feedback!

Your input helps to create even better products and experiences.

Share the warmth and leave a review.

convectair.com/sharethewarmth

 [YouTube / Convectair](https://www.youtube.com/Convectair) 



1 800 463-6478 | www.convectair.ca

In keeping with our policy of continuous product improvement, we reserve the right to make changes without notice.

© 2021 Glen Dimplex Americas

 A BRAND OF GLEN DIMPLEX AMERICAS